



### SPECIFICATION

Supply Voltage:	100-250V AC to driver
Primary Material:	Aluminium
Finish:	Stone-Rumbled™ Aluminium, Black
Weight:	3.0kg
Mounting:	Small Monopoint, Large Monopoint, Disc Monopoint, Track Adapter
IP Rating:	IP20
CRI:	90 CRI
Luminous Flux:	4050 lm / 2700K 4300 lm / 3000K 4600 lm / 3500K (by request) 4750 lm / 4000K
Luminaire Efficacy:	up to 97.7 lm/W
Current (mA max.):	1050 mA
Power Consumption (max. typ.):	41.4 W
Colour Temperature:	2700K, 3000K, 3500K (by request), 4000K
Colour Consistency:	≤ 1x2 MacAdam Ellipses
Colour Stability:	<0.003 Δu',v' 50,000 hrs
Lumen Maintenance:	50,000 hrs L70/B0/F0
Optics / Beam Angles:	21°, 38°, 59°, UGR
Accessories:	Honeycomb Louvre, Concentric Louvre
Operating Temp:	Ambient -20°C/+25°C
Control:	switched, 1-10V, DALI, Casambi
Standard / Certification:	CE   UKCA [BS EN 60598]   Manufactured in line with UL1598
Manufacture:	UK

### PRODUCT DESCRIPTION

Reflektter L Pendant is a light like no other. Made from heavy-gauge, spun aluminium. Remote / integrated driver options. Configurable high-performance light engine with comprehensive BIM and photometry data. Available in VOC free Eco paint finishes or Stone Rumbled for maximum Circular Economy. Made in the UK and tested to BS EN 60598 | CE | UKCA.

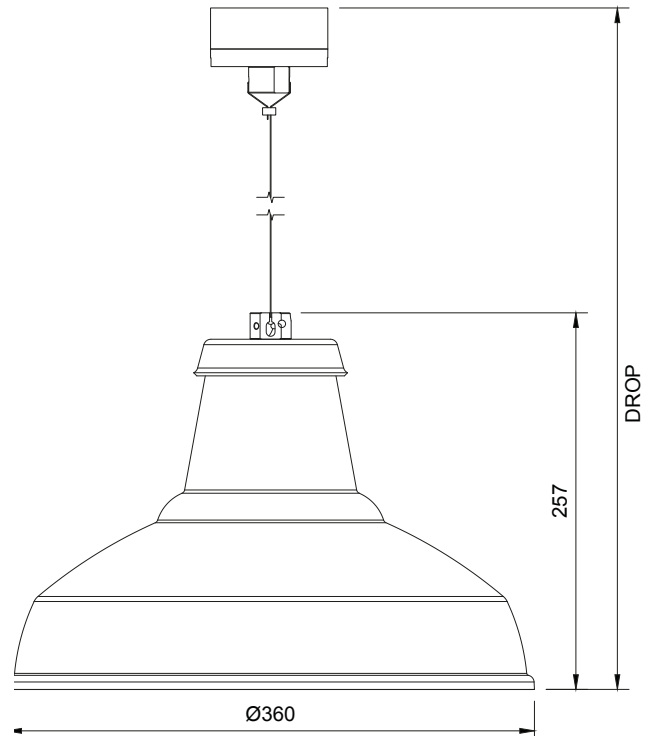


Small Monopoint

Large Monopoint

Track Adapter

Disc Monopoint



### SPECIFICATION / PRODUCT CODE

EXAMPLE: RLP-SR-SM-3000-DA-59-CL

<b>FINISH</b> Stone Rumbled [SR] Black [BL]	<b>MOUNTING</b> Small Monopoint [SM] Large Monopoint [LM] Disc Monopoint [DM] Track Adapter [TA]	<b>CCT</b> 2700K [2700] 3000K [3000] 3500K [3500] 4000K [4000]	<b>CONTROL</b> Switched [SW] DALI [DA] 1-10V [AN] CASAMBI [CA]	<b>BEAM ANGLE</b> 21° [21] 38° [38] 59° [59] UGR [UG]	<b>ACCESSORIES</b> No Accessories [NA] Honeycomb Louvre [HL] Concentric Louvre [CL]
---	--	--	--	---	--

### MOUNTINGS



#### SMALL MONOPOINT

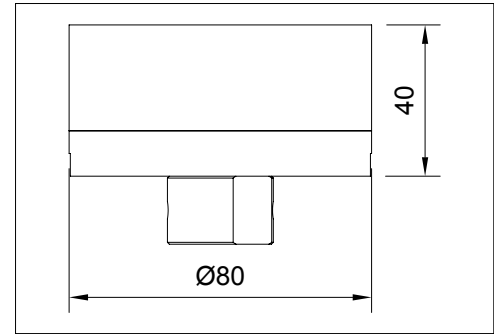
Standard mounting with room for electrical connections. Driver to be mounted in remote location

Finish: Stone-Rumbled™  
Black

Material: Aluminium

Voltage Type: AC / DC

Certification: CE / UKCA



#### LARGE MONOPOINT

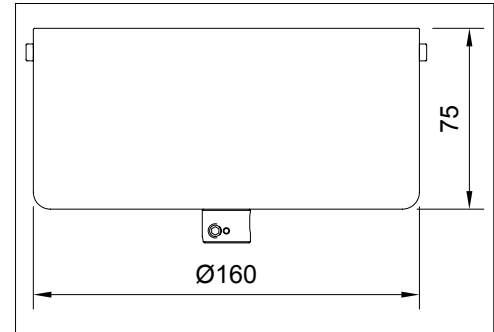
Built to house drivers locally to the luminaire.

Finish: Stone-Rumbled™  
Black

Material: Aluminium

Voltage Type: AC / DC

Certification: CE / UKCA



#### DISC MONOPOINT

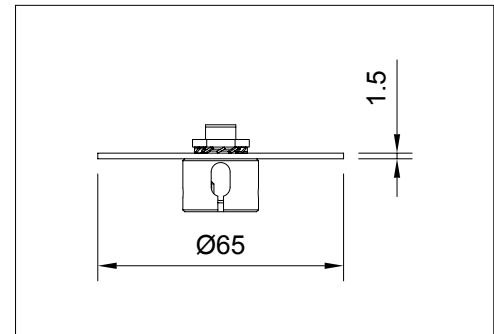
50.8mm mounting holes for UK conduit boxes. Other sizes available on request.

Finish: Stone-Rumbled™  
Black

Material: Aluminium

Voltage Type: AC / DC

Certification: CE / UKCA



### MOUNTINGS



#### TRACK ADAPTER

Multiple track adapter options to suit your installed system. Mains voltage. Built in drivers.  
Contact us to discuss your specific requirements.

Finish: Grey / Silver  
Black  
White

Voltage Type: AC

### DRIVERS - AC VOLTAGE (100-250V AC)

The following constant current driver types are used.

Typically, for remote drivers with output under 2000lm: 20W SOLOdrive; for integral (Large Monopoint) drivers under 2000lm: 30W SOLOdrive; for all drivers over 2000lm: 50W SOLOdrive.

#### MAXIMUM WIRING DISTANCE AT FULL LOAD - for 0.5mm<sup>2</sup> CSA (20 AWG).

AWG VALUE	20	19	18	17	16
Distance (m)	14	18	22	28	36
Distance (ft)	46	59	72	92	118



#### EldoLED 20W SOLOdrive

Nominal input voltage: 220-240V AC

Maximum input current: 0.15 A

Maximum inrush current: 1 A<sup>2</sup>s @230V / 50Hz

Efficiency at full load: 80%

Power factor at full load: > 0.95

Maximum output power: 20 W

LED output range: 150-1050 mA

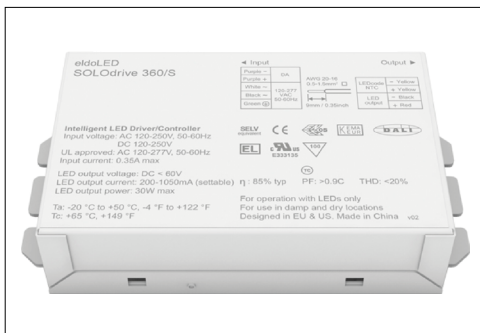
Control Protocol: DALI  
0-10V / 1-10V  
CASAMBI

Dimming range: 100% - 0.1%

Size: 160 x 42 x 31 mm

Weight: 125 g

ACB Loading: Type B/C10 B/C13 B/C16  
Max driver qty 66 86 106



#### EldoLED 30W SOLOdrive

Nominal input voltage: 100-250V AC

Maximum input current: 0.35 A @120V / 60Hz

Maximum inrush current: < 200 mA<sup>2</sup>s @120V / 60Hz

Efficiency at full load: 85%

Power factor at full load: > 0.9

Maximum output power: 30 W

LED output range: 150-1400 mA

Control Protocol: DALI  
0-10V / 1-10V  
CASAMBI

Dimming range: 100% - 0.1%

Size: 130 x 72 x 28 mm

Weight: 286 g

ACB Loading: Type B/C10 B/C13 B/C16  
Max driver qty 33 43 53



#### EldoLED 50W SOLOdrive [ETL listed]

Nominal input voltage: 100-250V AC

Maximum input current: 0.7 A

Maximum inrush current: 30 mA<sup>2</sup>s @277V / 50Hz

Efficiency at full load: 87%

Power factor at full load: > 0.9

Maximum output power: 50 W

LED output range: 150-1400 mA

Control Protocol: DALI  
0-10V / 1-10V  
CASAMBI

Dimming range: 100% - 0.1%

Size: 153 x 77 x 30 mm

Weight: 293 g

ACB Loading: Type B/C10 B/C13 B/C16  
Max driver qty 14 18 22



### LENSES



Type: Lens 21°, 38°, 59°  
Material: PMMA  
Dimensions: 70mm diameter, 13mm height  
Fixing: Twist on/off



Type: Unified Glare Ration Filter (UGR)  
Material: Polycarbonate  
Dimensions: 493mm diameter, 2mm height  
Fixing: Screws/brackets

### ACCESSORIES



Type: Honeycomb Louvre  
Material: (Anodised) Aluminium  
Dimensions: 71mm diameter, 3mm height  
Fixing: Spring Clip



Type: Concentric Louvre  
Material: Stainless Steel  
Dimensions: 500mm diameter, 80mm height  
Fixing: Tension

