

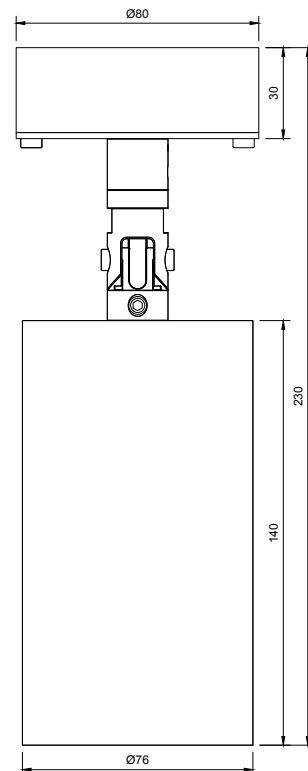
SPECIFICATION



Supply Voltage:	100-250V AC to driver
Primary Material:	Aluminium
Finish:	Stone Rumbled™ Aluminium, Black
Weight:	0.7kg
Mounting:	Small Monopoint, Large Monopoint, Disc Monopoint, Track Adapter
IP Rating:	IP20
CRI:	90 CRI
Luminous Flux:	0-2000 lm / 2700K 0-2120 lm / 3000K 0-2270 lm / 3500K (by request) 0-2340 lm / 4000K
Luminaire Efficacy:	up to 109 lm/W
Current (mA max.):	425 mA
Power Consumption (max. typ.):	16.0 W
Colour Temperature:	2700K, 3000K, 3500K (by request), 4000K
Colour Consistency:	≤ 1x2 MacAdam Ellipses
Colour Stability:	<0.003 Δu.v' 50,000 hrs
Lumen Maintenance:	50,000 hrs L70/B0/F0
Optics / Beam Angles:	21°, 38°, 59°, Spreader (22°x63°), Wall Wash
Accessories:	Honeycomb Louvre
Operating Temp:	Ambient -20°C/+25°C
Control:	Switched, 1-10V, DALI, Casambi
Standard / Certification:	CE UKCA [BS EN 60598] Manufactured in line with UL1598
Manufacture:	UK

PRODUCT DESCRIPTION

Ninety-Nine is a simple, modernist spotlight made from heavy-gauge, extruded aluminium. Remote / integrated driver options. Configurable high-performance light engine with comprehensive BIM and photometry data. Available in VOC free Eco paint finishes, black anodised or Stone Rumbled for maximum Circular Economy. (Swivel component stone rumbled on painted finishes.) Made in the UK and tested to BS EN 60598 | CE | UKCA.

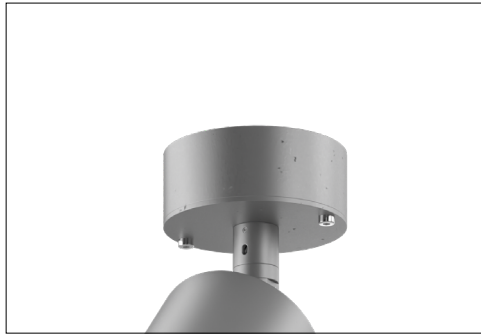


SPECIFICATION / PRODUCT CODE

EXAMPLE: NMS-SR-SM-2700-DA-WW-NA

FINISH Stone Rumbled [SR] Black [BL]	MOUNTING Small Monopoint [SM] Large Monopoint [LM] Disc Monopoint [DM] Track Adapter [TA]	CCT 2700K [2700] 3000K [3000] 3500K [3500] 4000K [4000]	CONTROL Switched [SW] DALI [DA] 1-10V [AN] CASAMBI [CA]	BEAM ANGLE 21° [21] 38° [38] 59° [59] Spreader Lens [SL] Wall Wash [WW]	ACCESSORIES No Accessories [NA] Honeycomb Louvre [HL]
---	--	--	--	---	--

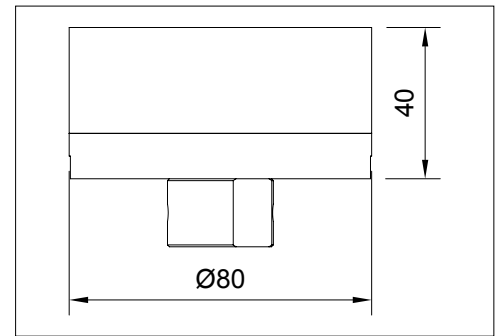
MOUNTINGS



SMALL MONOPOINT

Standard mounting with room for electrical connections. Driver to be mounted in remote location

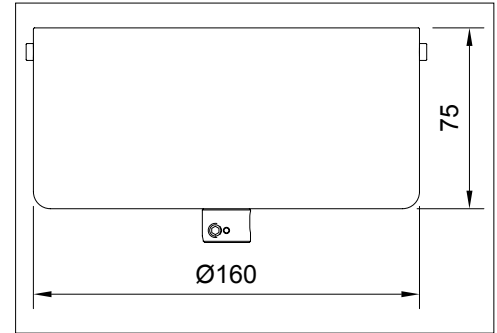
Finish: Stone Rumbled™
Black
Material: Aluminium
Voltage Type: AC / DC
Certification: CE / UKCA



LARGE MONOPOINT

Built to house drivers locally to the luminaire.

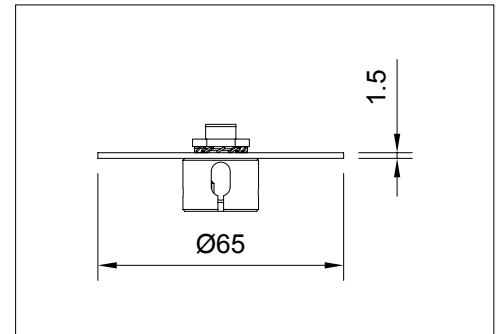
Finish: Stone Rumbled™
Black
Material: Aluminium
Voltage Type: AC / DC
Certification: CE / UKCA



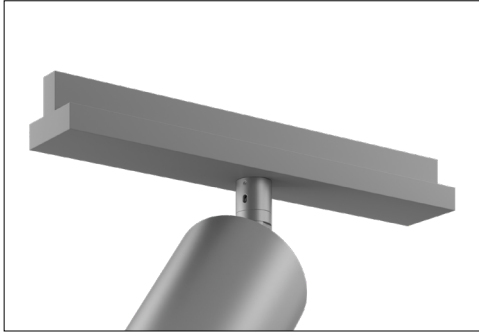
DISC MONOPOINT

50.8mm mounting holes for UK conduit boxes. Other sizes available on request.

Finish: Stone Rumbled™
Black
Material: Aluminium
Voltage Type: AC / DC
Certification: CE / UKCA



MOUNTINGS



TRACK ADAPTER

Multiple track adapter options to suit your installed system. Mains voltage. Built in drivers.
Contact us to discuss your specific requirements.

Finish: Grey / Silver
Black
White

Voltage Type: AC

DRIVERS - AC VOLTAGE (100-250V AC)

The following constant current driver types are used.

Typically, for remote drivers: 20W SOLOdrive; for integral drivers (Large Monopoint): 30W SOLOdrive

MAXIMUM WIRING DISTANCE AT FULL LOAD - for 0.5mm² CSA (20 AWG).

AWG VALUE	20	19	18	17	16
Distance (m)	14	18	22	28	36
Distance (ft)	46	59	72	92	118



EldoLED 20W SOLOdrive

Nominal input voltage: 220-240V AC
Maximum input current: 0.15 A
Maximum inrush current: 1 A²s @230V / 50Hz
Efficiency at full load: 80%
Power factor at full load: > 0.95
Maximum output power: 20 W
LED output range: 150-1050 mA

Control Protocol: DALI
0-10V / 1-10V
CASAMBI
Dimming range: 100% - 0.1%
Size: 160 x 42 x 31 mm
Weight: 125 g
ACB Loading: Type B/C10 B/C13 B/C16
Max driver qty 66 86 106



EldoLED 30W SOLOdrive

Nominal input voltage: 100-250V AC
Maximum input current: 0.35 A @120V / 60Hz
Maximum inrush current: < 200 mA²s @120V / 60Hz
Efficiency at full load: 85%
Power factor at full load: > 0.9
Maximum output power: 30 W
LED output range: 150-1400 mA

Control Protocol: DALI
0-10V / 1-10V
CASAMBI
Dimming range: 100% - 0.1%
Size: 130 x 72 x 28 mm
Weight: 286 g
ACB Loading: Type B/C10 B/C13 B/C16
Max driver qty 33 43 53

