

SPECIFICATION

Supply Voltage:	100-250V AC to driver
Primary Material:	Aluminium
Finish:	Stone-Rumbled™ Aluminium
Weight:	0.6kg
Mounting:	Small Monopoint, Large Monopoint, Disc Monopoint, Track Adapter
IP Rating:	IP20
CRI:	90 CRI
Luminous Flux:	4050 lm / 2700K 4300 lm / 3000K 4600 lm / 3500K (by request) 4750 lm / 4000K
Luminaire Efficacy:	up to 101 lm/W
Current (mA max.):	1050mA
Power Consumption (max. typ.):	41.4 W
Colour Temperature:	2700K, 3000K, 3500K (by request), 4000K
Colour Consistency:	≤ 1x2 MacAdam Ellipses
Colour Stability:	<0.003 Δu.v' 50,000 hrs
Lumen Maintenance:	50,000 hrs L70/B0/F0
Optics / Beam Angles:	21°, 38°, 59°, spreader, wall wash
Accessories:	Honeycomb Louvre,
Operating Temp:	Ambient -20°C/+25°C
Control:	switched, 1-10V, DALI, Casambi
Standard / Certification:	CE UKCA [BS EN 60598]
Manufacture:	UK



PRODUCT DESCRIPTION

Skin+Bones Spotlight is a seriously stripped back luminaire. Remote / integrated / PSU / driver options. Configurable high-performance light engine with comprehensive BIM and photometry data. Available in Stone Rumbled only for maximum Circular Economy. Made in the UK and tested to BS EN 60598 | CE | UKCA.



Large Monopoint



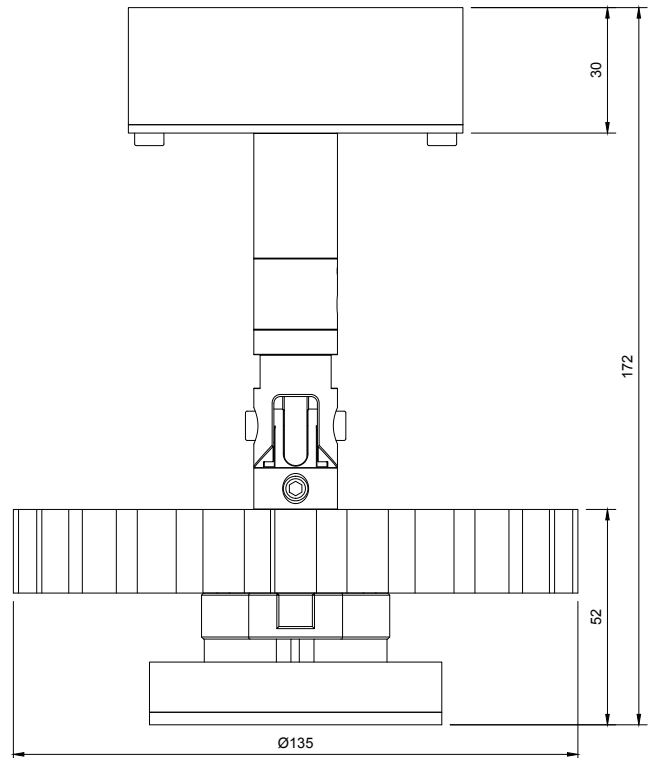
Track



Small Monopoint



Disc Monopoint



Designed, made & tested in the UK
1_DAT_SKIN-BONES-SPOTLIGHT_2308
© Factorylux



SPECIFICATION / PRODUCT CODE

EXAMPLE: SMS-SR-SM-2700-DA-21-NA

FINISH Stone Rumbled [SR]	MOUNTING Small Monopoint [SM] Large Monopoint [LM] Disc Monopoint [DM] Track Adapter [TA]	CCT 2700K [2700] 3000K [3000] 3500K [3500] 4000K [4000]	CONTROL Switched [SW] DALI [DA] 1-10V [AN] CASAMBI [CA]	BEAM ANGLE 21° [21] 38° [38] 59° [59] Spreader [SPRD] Wall Wash [WW]	ACCESSORIES No Accessories [NA] Honeycomb Louvre [HL]
-------------------------------------	--	--	--	--	--

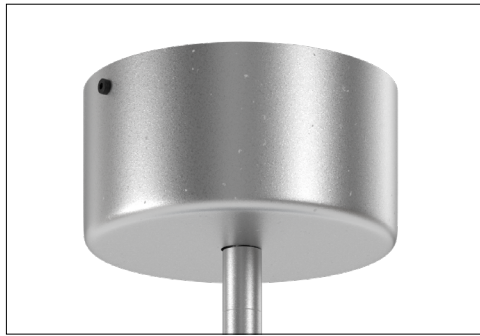
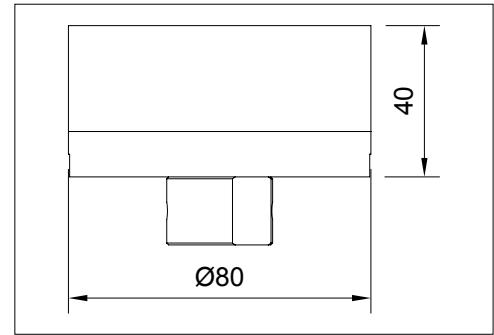
MOUNTINGS



SMALL MONOPOINT

Standard mounting with room for electrical connections. Driver to be mounted in remote location

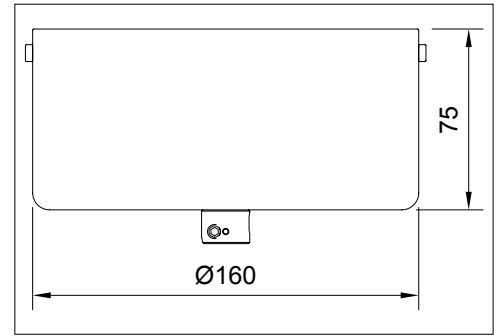
Finish: Stone-Rumbled™
 Material: Aluminium
 Voltage Type: AC / DC
 Certification: CE / UKCA



LARGE MONOPOINT

Built to house drivers locally to the luminaire.

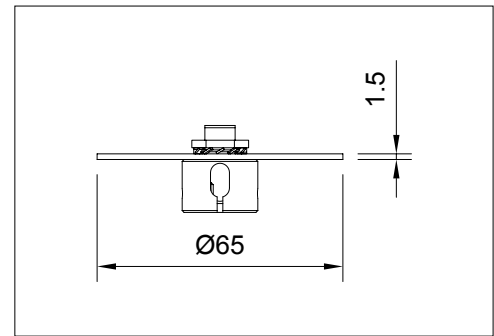
Finish: Stone-Rumbled™
 Material: Aluminium
 Voltage Type: AC / DC
 Certification: CE / UKCA



DISC MONOPOINT

50.8mm mounting holes for UK conduit boxes. Other sizes available on request.

Finish: Stone-Rumbled™
 Material: Aluminium
 Voltage Type: AC / DC
 Certification: CE / UKCA



MOUNTINGS



TRACK ADAPTER

Multiple track adapter options to suit your installed system. Mains voltage. Built in drivers.
Contact us to discuss your specific requirements.

Finish: Grey / Silver
Black
White

Voltage Type: AC

DRIVERS - AC VOLTAGE (100-250V AC)

The following constant current driver types are used.

Typically, for remote drivers with output under 2000lm: 20W SOLOdrive; for integral (Large Monopoint) drivers under 2000lm: 30W SOLOdrive; for all drivers over 2000lm: 50W SOLOdrive.

MAXIMUM WIRING DISTANCE AT FULL LOAD - for 0.5mm² CSA (20 AWG).

AWG VALUE	20	19	18	17	16
Distance (m)	14	18	22	28	36
Distance (ft)	46	59	72	92	118



EldoLED 20W SOLOdrive

Nominal input voltage: 220-240V AC
Maximum input current: 0.15 A
Maximum inrush current: 1A²s @230V / 50Hz
Efficiency at full load: 80%
Power factor at full load: > 0.95
Maximum output power: 20 W
LED output range: 150-1050 mA

Control Protocol: DALI
0-10V / 1-10V
CASAMBI
Dimming range: 100% - 0.1%
Size: 160 x 42 x 31 mm
Weight: 125 g
ACB Loading: Type B/C10 B/C13 B/C16
Max driver qty 66 86 106



EldoLED 30W SOLOdrive

Nominal input voltage: 100-250V AC
Maximum input current: 0.35 A @120V / 60Hz
Maximum inrush current: < 200 mA²s @120V / 60Hz
Efficiency at full load: 85%
Power factor at full load: > 0.9
Maximum output power: 30 W
LED output range: 150-1400 mA

Control Protocol: DALI
0-10V / 1-10V
CASAMBI
Dimming range: 100% - 0.1%
Size: 130 x 72 x 28 mm
Weight: 286 g
ACB Loading: Type B/C10 B/C13 B/C16
Max driver qty 33 43 53



EldoLED 50W SOLOdrive

Nominal input voltage: 100-250V AC
Maximum input current: 0.7 A
Maximum inrush current: 30 mA²s @277V / 50Hz
Efficiency at full load: 87%
Power factor at full load: > 0.9
Maximum output power: 50 W
LED output range: 150-1400 mA

Control Protocol: DALI
0-10V / 1-10V
CASAMBI
Dimming range: 100% - 0.1%
Size: 153 x 77 x 30 mm
Weight: 293 g
ACB Loading: Type B/C10 B/C13 B/C16
Max driver qty 14 18 22

