

TP-SS-1500-WS for illustration purposes

### PRODUCT DESCRIPTION

Track-Pipe is stainless steel tube, with folded aluminium boxes at even spacings along the length. Each box contains a socket that delivers power and data to Factorylux lighting fitted with a Track-Pipe Hook and connector. Track-Pipe requires less suspensions than standard track and comes with wire suspension kits, threaded rods or installers can use any M10 mounting solution.

Each Track-Pipe run supplied with:

- Track Pipe piece(s)
- Coupler(s) — mechanical connection of multiple pieces
- Power Supply Unit (PSU)
- 2000mm Live Feed — electrical connection to PSU
- End Cap
- Suspension Kit — 3000mm adjustable wire (or alternative as specified)

### SPECIFICATION

Run Length:	1000mm	5000mm
	1500mm	6000mm
	2000mm	7000mm
	2500mm	8000mm
	3000mm	9000mm
	4000mm	10000mm
Structural:	Max. 3000mm between suspension points Suspension by supplied suspension wire (3000mm) or any standard M10 ceiling mountings Max. uniformly distributed load (UDL) 15kg/3000mm	
Sockets:	1 socket per 500mm	
Electrical:	48V DC Pre-wired DALI or Switched control Max. 6 Amp per live end Full compatibility with Factorylux lighting fitted with Track-Pipe hook and connector	
Finish:	Stainless Steel	

### POWER SUPPLY UNIT (CONSTANT VOLTAGE) - DC VOLTAGE (48V DC)

Mean Well HLG-XXXH-48V Constant Voltage LED PSU

Nominal input voltage	90-305V AC
Output voltage	48V DC
Power factor at full load	> 0.92

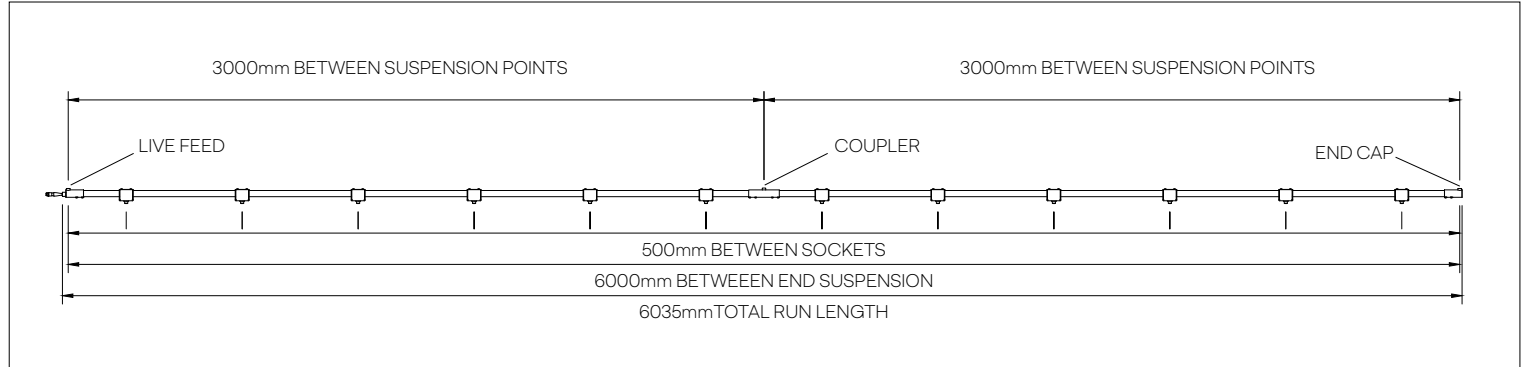


MODEL	POWER	EFFICIENCY AT FULL LOAD	CURRENT AT 115V / 230V	INRUSH CURRENT. AT 230V / 50% Ipeak	DIMS mm / WEIGHT g	BREAKER LOADING (UNITS) AT 230V	
						B	C
HLG-100H-48A	96.0W	93.00%	1.2A / 0.55A	60A (twidth=415µs)	220x68x38.8 / 1120	4	8
HLG-240H-48A	240.0W	93.00%	4.0A / 2.0A	75A (twidth=570µs)	244.2x68x38.8 / 1300	2	4
HLG-320H-48A	321.6W	95.00%	3.5A / 1.65A	70A (twidth=1010µs)	252x90x43.8 / 1880	1	2

### SPECIFICATION / PRODUCT SKU

EXAMPLE: TP-SS-6000-WS

<b>PRODUCT NAME:</b> Track-Pipe [TP]	<b>FINISH:</b> Stainless Steel [SS]	<b>RUN LENGTH:</b> 1000mm [1000] 2500mm [2500] 5000mm [5000] 8000mm [8000] 1500mm [1500] 3000mm [3000] 6000mm [6000] 9000mm [9000] 2000mm [2000] 4000mm [4000] 7000mm [7000] 10000mm [10000] First to last suspension distances	<b>SUSPENSION KIT:</b> No Suspension Kit. [XS] Wire Suspension Kit. [WS] Rod Suspension Kit. [RS]
---	--	---	--



PRODUCT CODE with SKU	TOTAL RUN LENGTH	PIECES PER RUN	SUSPENSION POINT DISTANCES				PSU	
			0mm	1000mm	2000mm	3000mm		
TP-SS-1000	1035mm	1 x 1000mm	0mm	1000mm			HLG-100H-48A	
TP-SS-1500	1535mm	1 x 1500mm	0mm	1500mm			HLG-100H-48A	
TP-SS-2000	2035mm	1 x 2000mm	0mm	2000mm			HLG-100H-48A	
TP-SS-2500	2535mm	1 x 2500mm	0mm	2500mm			HLG-100H-48A	
TP-SS-3000	3035mm	1 x 3000mm	0mm	3000mm			HLG-100H-48A	
TP-SS-4000	4035mm	2 x 2000mm	0mm	2000mm	4000mm		HLG-240H-48A	
TP-SS-5000	5035mm	2 x 2500mm	0mm	2500mm	5000mm		HLG-240H-48A	
TP-SS-6000	6035mm	2 x 3000mm	0mm	3000mm	6000mm		HLG-240H-48A	
TP-SS-7000	7035mm	2500mm + 2000mm + 2500mm	0mm	2500mm	4500mm	7000mm	HLG-240H-48A	
TP-SS-8000	8035mm	3000mm + 2000mm + 3000mm	0mm	3000mm	5000mm	8000mm	HLG-320H-48A	
TP-SS-9000	9035mm	3 x 3000mm	0mm	3000mm	6000mm	9000mm	HLG-320H-48A	
TP-SS-10000	1035mm	4 x 2500mm	0mm	2500mm	5000mm	7500mm	10000mm	HLG-320H-48A