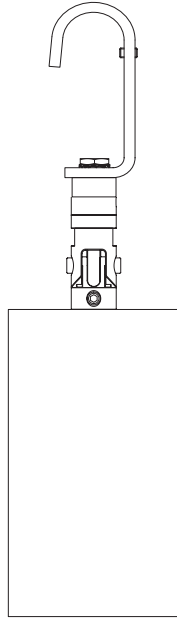




## NINETY-NINE™ SPOTLIGHT



### NINETY-NINE SPOTLIGHT | WHAT'S INCLUDED



3mm hex key

### YOUR PRODUCT

Thank you for purchasing this FACTORYLUX product. It has been designed and hand-built in the UK to give you many years of reliable service. Please read these user instructions carefully.

### WARNING

**Shut off power before installation, adjusting or handling! Failure to do so may result in irreversible damage to the LED module and failure of the luminaire**

- Light fitting to be installed by a competent person, in accordance with all national and local building codes or with current wiring and building regs
- Bathroom installation by authorised contractor only
- Always use fixings appropriate to the mounting location
- IP20 unless otherwise stated on product labelling
- Driver/PSU must not be thermally insulated
- Maximum ambient temperature 25°C
- Must be installed out of arms reach

### TROUBLESHOOTING

In the event of failure, fault or damage, shut off power and contact our technical department via [FACTORYLUX.com](http://FACTORYLUX.com).

The light source contained in this luminaire shall only be replaced by the manufacturer, their service agent or a similar qualified person.

### STAY UP TO DATE

For up to date design and product information visit [FACTORYLUX.com](http://FACTORYLUX.com)  
You can also contact us via instant support or email [hello@factorylux.com](mailto:hello@factorylux.com)

Designed, made & tested in the UK  
LINS\_NINETY-NINE-SPOTLIGHT-TP.2308  
© Factorylux



Factorylux | Greenhill Mills | Hebden Bridge | HX7 5QF | UK FACTORYLUX®

## TRACK-PIPE HOOK | WHAT'S INCLUDED

Luminaire with professional specification integral LED. LED PSU to be mounted remotely.

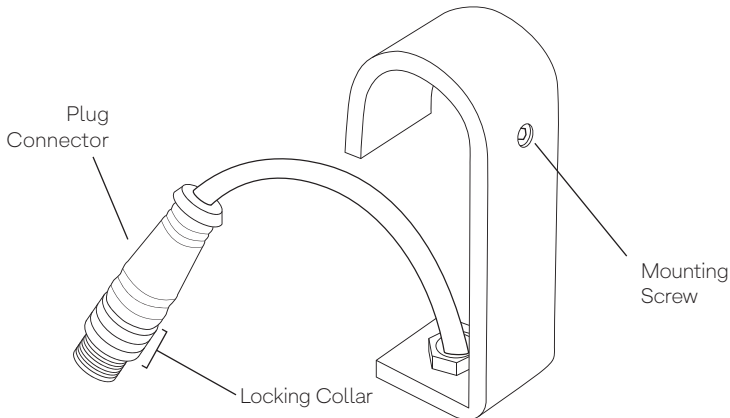


2.5mm hex key

## TRACK-PIPE HOOK | TOOLS REQUIRED

- 2.5mm hex key

## TRACK-PIPE HOOK | INSTALLATION DIAGRAM



## TRACK-PIPE HOOK | INSTALLATION

This product is only suitable for connection to TRACK-PIPE®, with a pre installed PSU.

**WARNING:** Light fitting to be insulated and grounded in accordance with local and national building code and/or wiring regulations. **Ensure power to TRACK-PIPE® has been off for at least 1 minute prior to installation. For use in dry locations only.**

1. Place luminaire hook over TRACK-PIPE® in desired location
2. Secure in place with grub screw using 2.5mm hex key
3. Insert the plug connector into the socket connector on the TRACK-PIPE® connection box. Rotate the plug to align the lug on the plug with the slot in the socket (CAUTION: rotate with care - do not force)
4. Push the plug connector into the socket connector and rotate the locking collar clockwise until finger-tight.

## TRACK-PIPE HOOK | ADJUSTING

**WARNING:** Shut off power and allow to cool.

- If reconnecting to TRACK-PIPE®, ensure power to TRACK-PIPE® has been off for at least 1 minute
- Loosen mounting screw before changing location on TRACK-PIPE®
- Move luminaire to new desired location
- Fix mounting screw to the same tightness as before.

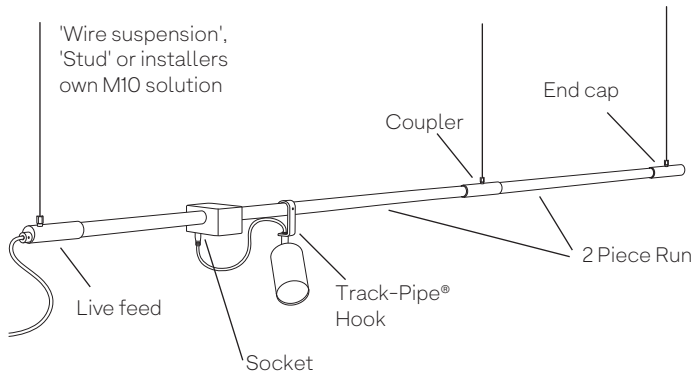
Designed, made & tested in the UK  
1.INS.TRACK-PIPE-HOOK.2208  
© Factorylux



Factorylux | Greenhill Mills | Hebden Bridge | HX7 5QF | UK FACTORYLUX

# FACTORYLUX<sup>®</sup>

## Track-Pipe<sup>®</sup>



## YOUR PRODUCT

Thank you for purchasing this Factorylux product. It's designed and assembled in Yorkshire UK to offer many years of reliable service. It can be efficiently remade in our factory at end of product life.

## WARNING

- Class III low-voltage. Connect via supplied PSU only!
- De-power Track-Pipe<sup>®</sup> for 1 minute before connecting lights
- Shut off power before install or adjustment as failure to do so can result in irreversible damage to the equipment
- Installation by competent person only, in accordance with relevant building / electrical codes
- For use in dry locations only
- Always use fixings appropriate to the mounting location
- Only compatible with Factorylux Track-Pipe<sup>®</sup> lighting

## TROUBLESHOOTING

In the event of failure, fault or damage shut off power and contact our technical department via [factorylux.com](http://factorylux.com)

## HANDLING & CLEANING

- Shut off power. Wipe gently with a dry, soft, cloth
- Cleaning products can be detrimental to surface finish

## STAY UP TO DATE

We post regular design and product information online. You can also contact us via [factorylux.com](http://factorylux.com)

## WHAT'S INCLUDED (PER RUN)

- 1 or more piece(s) of Track-Pipe<sup>®</sup>
- 1x Live feed, 1x end cap
- Coupler(s) if run is more than 1 piece long
- 1x Wire suspension or stud kit per live feed / end cap / coupler
- 1x 2.5mm hex key per order
- 1x PSU (power supply unit)

Designed, made & tested in the UK  
1.INS.TRACK-PIPE.2311  
© Factorylux



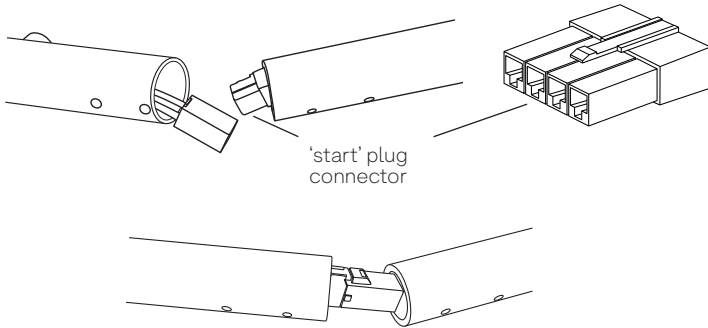
Factorylux | Greenhill Mills | Hebden Bridge | HX7 5QF | UK

## INSTALLATION NOTES

- Mount Track-Pipe® with sockets facing down
- Attach luminaires with hook positioned vertically
- De-power for 1 minute before connecting lights
- Secure hooks with grub screws prior to operation

## INSTALLATION

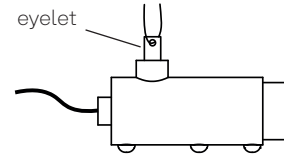
1. Fit Wire suspension', 'Stud' or installers own M10 solution to every live feed, coupler & end cap.
2. Install corresponding ceiling fixings. Measure or check data sheet for correct spacings.
3. Suspend eyelets or studs from ceiling
4. Extract the plug and socket electrical connectors from the length of Track-Pipe® and the live feed



5. Push the pairs of connectors together until a 'click' is felt
6. Push electrical connectors fully into the Track-Pipe® tube to remove slack cable

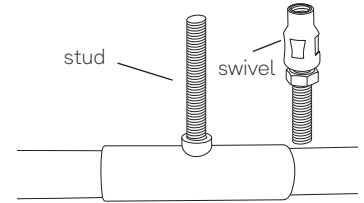
## INSTALLATION (CONTINUED)

7. Place Track-Pipe® into live feed coupler
8. Using the provided button cap screws and a 2.5mm hex key, fix the Track-Pipe® in place
9. Repeat steps 4 - 8 to fix couplers and remaining pieces of Track-Pipe®
10. Live feed and data feed to be wired according to wiring diagram



M10 Eyelet + Suspension Wire

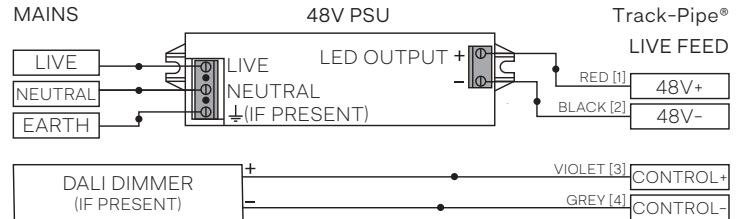
Suspension wire loops in eyelet with a crimp, and is adjusted with a Zip-Clip



M10 Swivel Hanger + Suspension Stud

Swivel to be pre installed at ceiling level to allow installation of M10 stud

## WIRING DIAGRAM



Designed, made & tested in the UK  
1.LINS.TRACK-PIPE\_2311  
© Factorylux

